



Aerial Markers

UV Stable • Custom Printed & Programmed • Harsh Environment • High Visibility

Technical Data Sheet

Part: #WFS- ES-0015

General Description

Aerial Markers and Aerial Patrol Markers

An aerial marker device is frequently used to enable an aircraft to identify the route of a pipeline, power cable, guyline, antenna or similar structure. Aerial markers also provide the location of tall or broad structures that pose a potential hazard to air, ground or water navigation. Frick's Aerial Marking Systems are designed to assist air patrols with identifying these physical points along pipeline or cable routes.

These Frick aerial markers are made from solid polycarbonate and coated with an UVI coating for UV resistance. They are designed for maximum visibility, outstanding durability, and are virtually maintenance-free. Holes can be drilled into the marker for attachment to a 3.5" outer diameter PVC pipe or posts.

Visible by Aircraft

These markers are large enough and visible enough to be used as aerial patrol markers. Even in wooded areas, Frick aerial markers can easily be viewed from low flying aircraft.

Frick's polycarbonate aerial markers are lightweight, more durable than metallic counterparts, and more cost effective. Alternative aluminum designs are available.

- Versatile attachment aerial markers
- Alternative designs available
- Cost effective
- Maximum visibility
- Available Colors: yellow, orange, or custom colors

Applications

Property management, Pedestal Labeling, Outdoor Use, Reflective Number Letter Kits, Harsh Environments

Material Description

Polycarbonate Aerial Markers with UV Coating

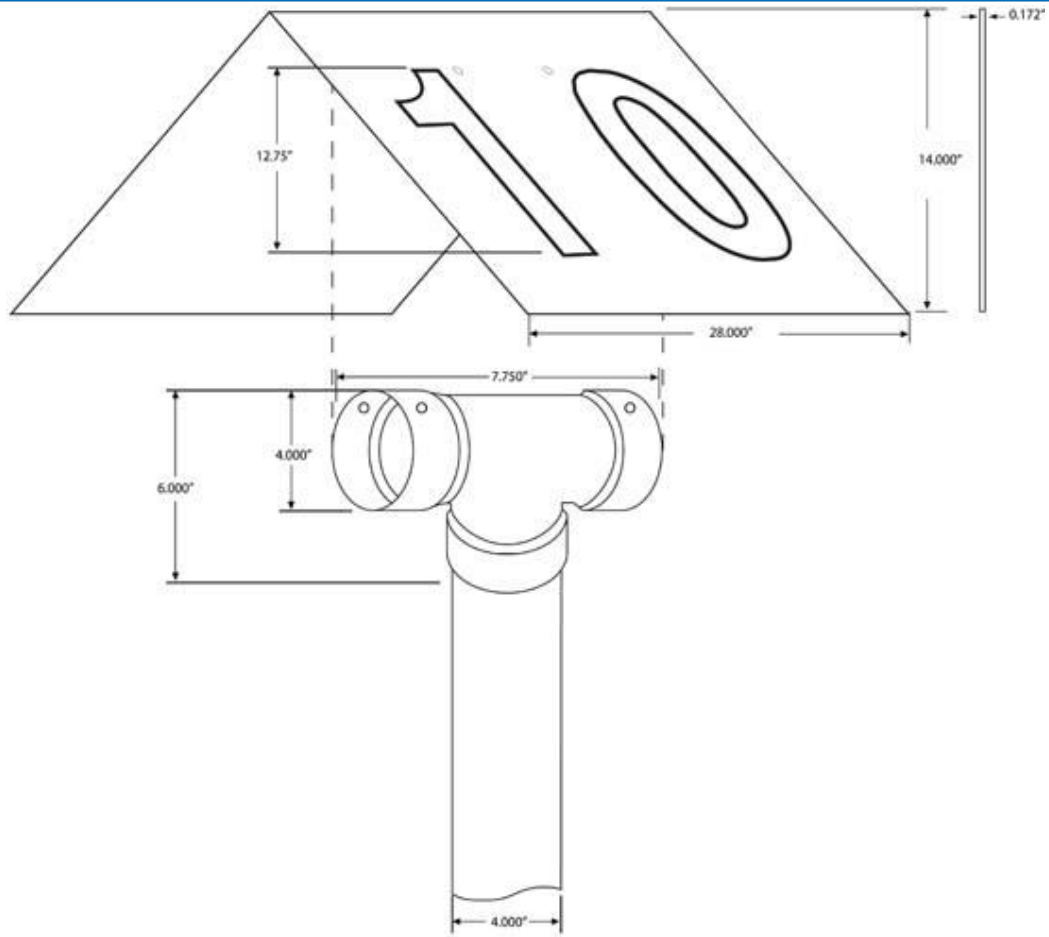
Custom Colors and Sizes available

Frame Size (mil or inches):	12" to 48" W or custom
Character Height:	12.75" or custom
Thickness:	0.172"
Minimum Application Temperature:	50° F
Expected Outdoor Life (F):	30+ Years
Available Colors:	Orange, Yellow or Custom
Available Ink Colors:	UV Resistant Black or Custom
Water Resistance:	Excellent
Solvents Resistance:	Excellent
UV Resistance:	Excellent
Abrasion Resistance:	Excellent

Shelf life

William Frick aerial markers are completely stable.





ALL DIMENSIONS ARE IN INCHES
UNLESS OTHERWISE SPECIFIED

TOLERANCES
3 PLACE DECIMAL + OR-.005"
2 PLACE DECIMAL + OR-.02"
1 PLACE DECIMAL + OR-.1"

MAX SURFACE ROUGHNESS
ALL MACHINED SURFACES
EXCEPT AS NOTIFIED

BREAK SHARP EDGES AND CORNERS
.010" MAX

Contact No.	William Frick & Co.			www.fricknet.com
DWG.	Aerial Markers			
Engr.				
Chk.				
Aprvd.	Size.	DWG No. WFS- ES-0015	Rev.	

